

869 Dual Style D Initiating Module

Description

The 869 Module provides two supervised, power limited Style D, 4-wire initiating zones for connecting waterflow switches and non-powered fire and burglary devices to DMP panels. The 869 supervises both zones for opens, shorts, or ground fault conditions and requires 8.0 to 25.0 VDC auxiliary power, a common ground, and one or two alarm zone inputs from the panel. Program the two alarm zone inputs according to the types of devices being used on the 869 module.

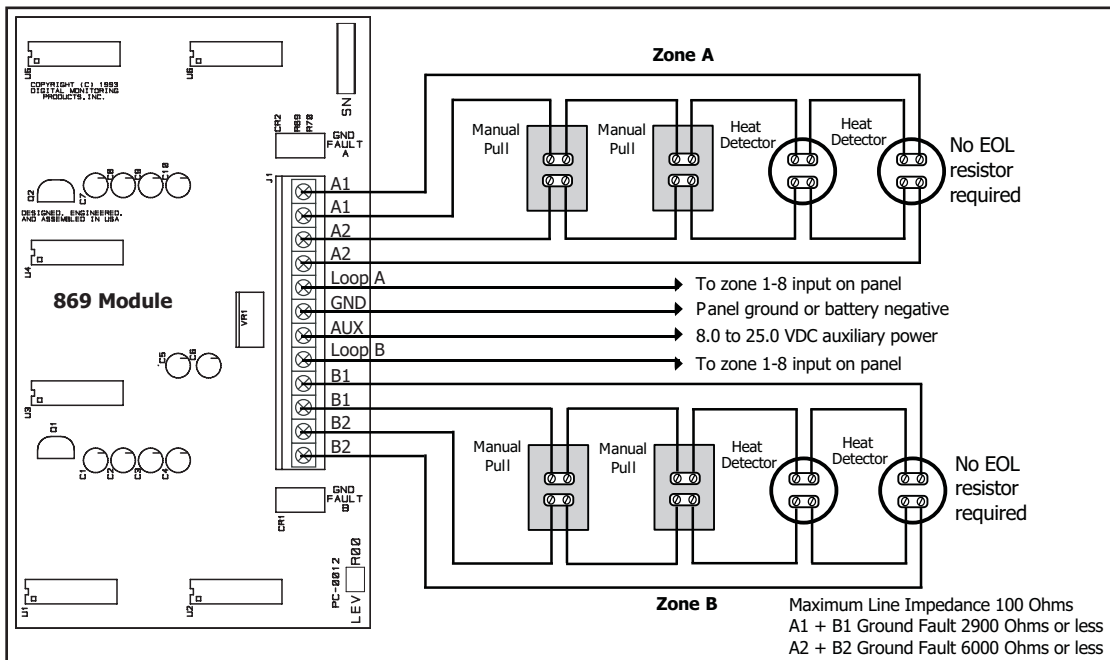


Figure 1: Connecting Initiating Circuits to the 869 Module



Ground Yourself Before Handling the Panel! Touch any grounded metal, such as the enclosure, before touching the panel to discharge static.

Remove All Power From the Panel! Remove all AC and Battery power from the panel before installing or connecting any modules, cards, or wires to the panel.

Installation

You can install the 869 module in any of the panel enclosure 3-hole mounting locations using the plastic standoffs provided. To install the 869 into the enclosure, follow the steps below:

1. Mount the plastic standoffs to the enclosure using the three included Phillips head screws.
2. Insert the screws from the outside of the enclosure through the holes and into the plastic standoff which mounts on the inside of the enclosure and tighten.
3. After the standoffs are secured onto the enclosure, snap the 869 onto the standoffs.

Connect all field and panel wiring to the 12 position terminal strip on the 869 board and tighten down securely. Do NOT install an End-of-Line resistor on the zone connection to the panel.

Operation

The Class A, Style D circuit consists of a 2-wire zone out to the protective devices and a 2-wire return from the last device to the module. In the event of an open condition on the circuit, devices on either side of the fault could still initiate an alarm. During an alarm (shorted) condition on either Style D zone, the 869 module shorts the panel alarm zone to ground. During a trouble (open) or ground fault condition on either zone, the 869 module opens the panel alarm zone. In addition, ground fault conditions on either Zone A or Zone B light the corresponding red LED.



Specifications

Operating Voltage: 8.0 to 25.0 VDC
Operating Current: 25mA Standby,
75mA Maximum (both zones
shorted to ground)
Zone Types: Two Style D, 4-wire
initiating circuits
Zone Voltage: 5 VDC, 1.5mA max

Panel Compatibility

XR100/XR500 Series
XR150/XR350/XR550 Series panels.

Certifications

California State Fire Marshal (CSFM)
New York City (FDNY COA #6167)
ANSI/UL 864 Fire Protective Signaling



800-641-4282

www.dmp.com

Designed, Engineered
and Assembled in U.S.A.

INTRUSION • FIRE • ACCESS • NETWORKS

2500 North Partnership Boulevard

Springfield, Missouri 65803-8877

